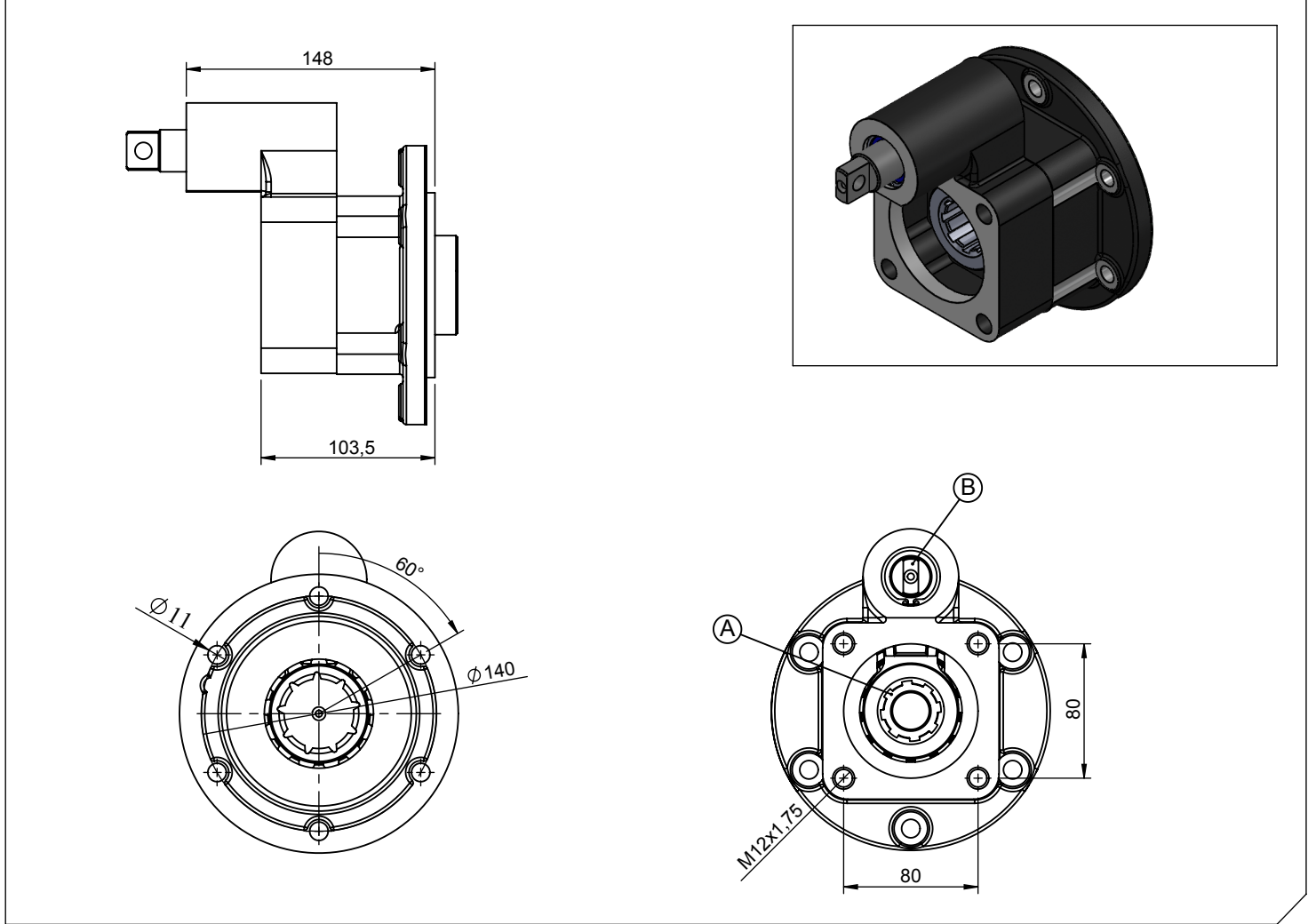


Vehicle Type	LAND ROVER / RANGE ROVER / R 130 / LT 230
Gearbox Type	LT230 / TTFA1 120209140145 / 43D140902G / 1CG50011BAF23

Product Code	LND.1.R130
Revision No- Date	01/ 06.11.2017



Products Views



Component Details

A: PTO Output ISO 14 DIN 5462 Spline (ISO 4 Bolt)
B: Mechanic Control

Technical Details

Power	Maximum Torque		Input/Output	Mounting Side	Control Type
	kW	Nm			
50	476	48,5	1/1	Rear	Mechanic
				Weight	Sense of Rotation
				9 kg	Same as Input